

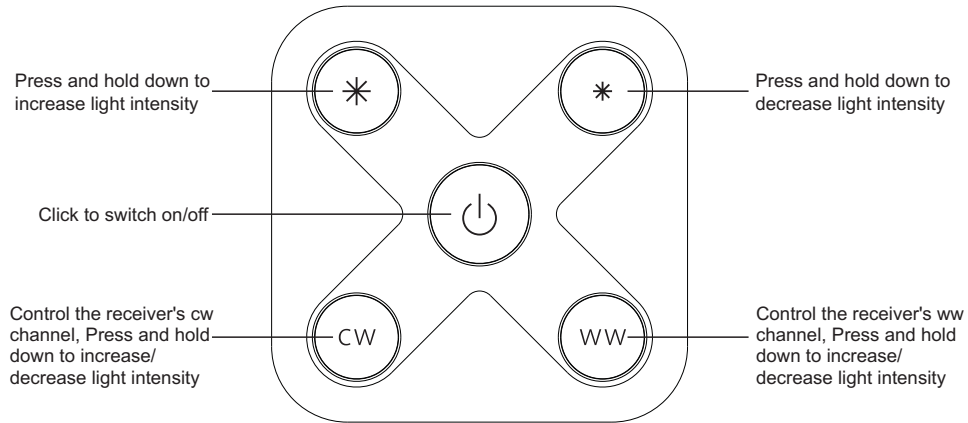
RF CCT Color Controller

09.2855W.04211

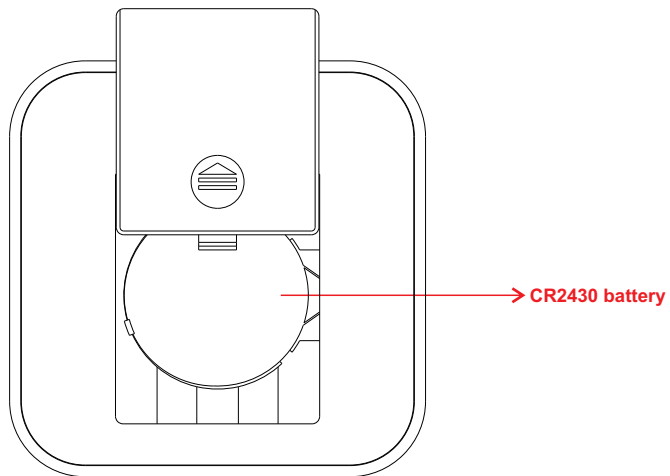


Important: Read All Instructions Prior to Installation

Function introduction



Front side



Back side

Product Data

Output	RF signal
Operation Frequency	869.5/434MHz
Power Supply	3V(CR2430 battery)
Operating temperature	0-40°C
Relative humidity	8% to 80%
Dimensions	55x55x11.1mm

- Control 1 zone
- CCT color controller
- Memory Function
- Compatible with all universal series RF receivers
- 1 receiver can be paired by max 8 different remote controls.
- Waterproof grade: IP20

Safety & Warnings

- This device contains a button lithium battery that shall be stored and disposed properly.
- DO NOT expose the device to moisture.

Operation

1. Pair with RF receivers:

Turn on the remote → Click "**Learning Key**" on RF receiver → Click any of the four buttons CW WW * * → LED lights connected with the RF receiver will flicker once

→ The receiver is paired with the remote successfully.

How to delete the pairing:

Press and hold down "**Learning Key**" on the receiver for over 3 seconds until connected LED lights flicker twice, which means the pairing is deleted successfully.